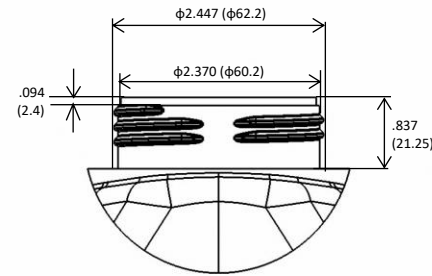
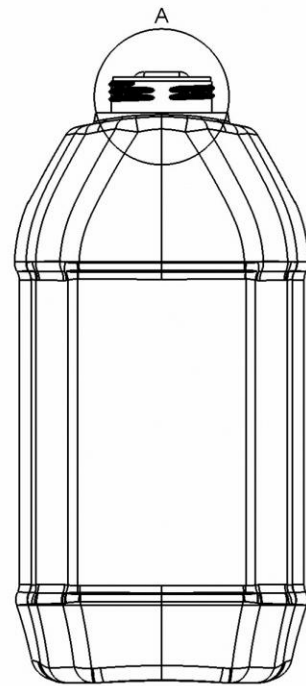
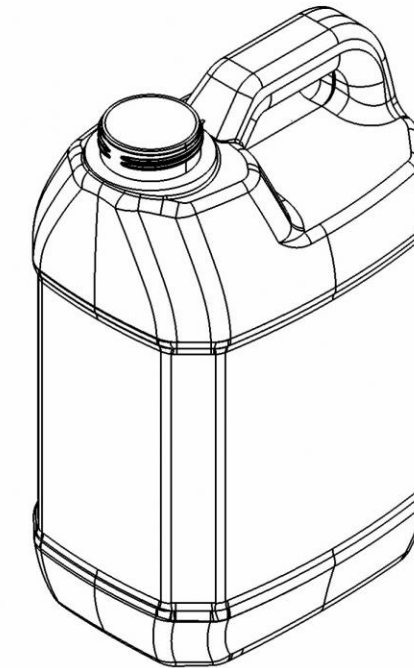
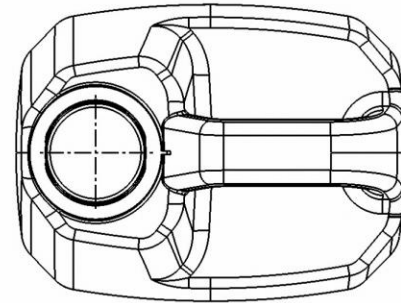


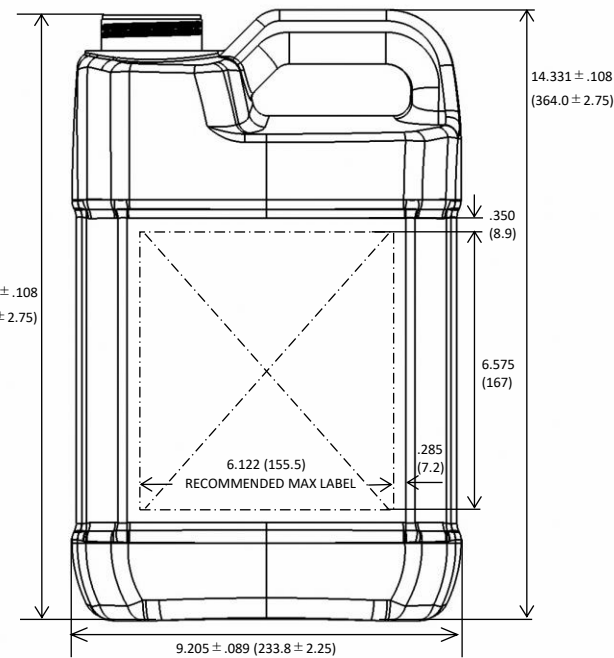
MARK	REV. NO.	REV. RECORD	DATE	REV.	DELIV
△		NEW DRAWING	12/20/2022	-	N
△	REV.1	UPDATED NOTE	7/10/2023	Y.KASUYA	Y



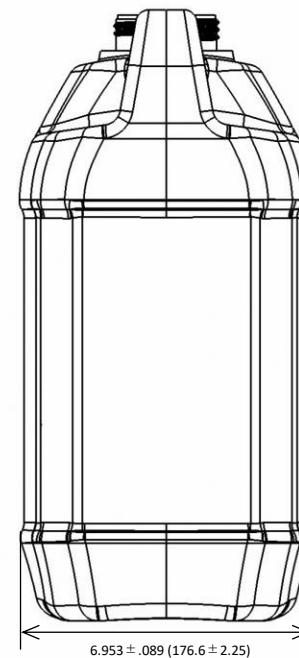
DETAIL A
(SCALE 2:1)



14.244 ± .108
(361.8 ± 2.75)



14.331 ± .108
(364.0 ± 2.75)



6.953 ± .089 (176.6 ± 2.25)

Note:

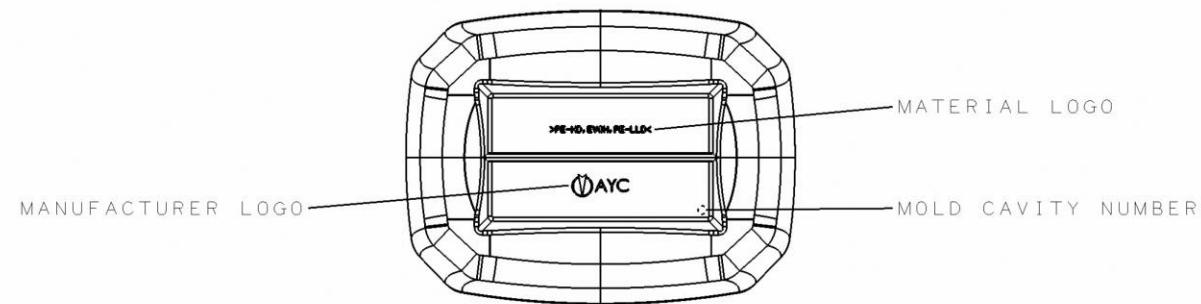
- OVER FLOW CAPACITY = 10.60 L (2.80GAL).
- DIMENSIONS ARE IN INCHES (MILLIMETERS IN PARENTHESES)

- NECK O/D 63MM CUSTOM
- COLOR : WHITE
- MATERIAL

OUTER

- LAYER 1 HDPE + MASTERBATCH WHITE
- LAYER 2 REGRIND
- LAYER 3 ADHESIVE
- LAYER 4 EVOH
- LAYER 5 ADHESIVE
- LAYER 6 HDPE

INNER



REF. NO. MODEL	PART NO.	PART NAME	Q'TY	MATERIAL/DIMENSION	3D		
MATERIAL REFER TO NOTE.	APPRO. 12/20/2022	MODEL F-STYLE	PROJECTION METHOD	SCALE 1:2	SHEET 1/1	PART Q'TY 1	3D N
HEATSURFACE TREATMENT	STOZ.	CHECK	PART NAME 10 L. F-STYLE MULTI LAYER BOTTLE			MASS ---	8-T
GENERAL TOL.	Q. Q. TOL. JIS B 0419-K	DESIGN S. Mimuro	PART NO. AYF - M001-01			REV. STG.	
SURFACE TEXTURE	IMPOR-TANCE	COLOR INSTR.	STAFF CODE AMERICAN YAZAKI CORP.			ENG. N	
DO NOT SCALE DIMENSIONS AT 20C		PH. FAX	REMARKS				A1